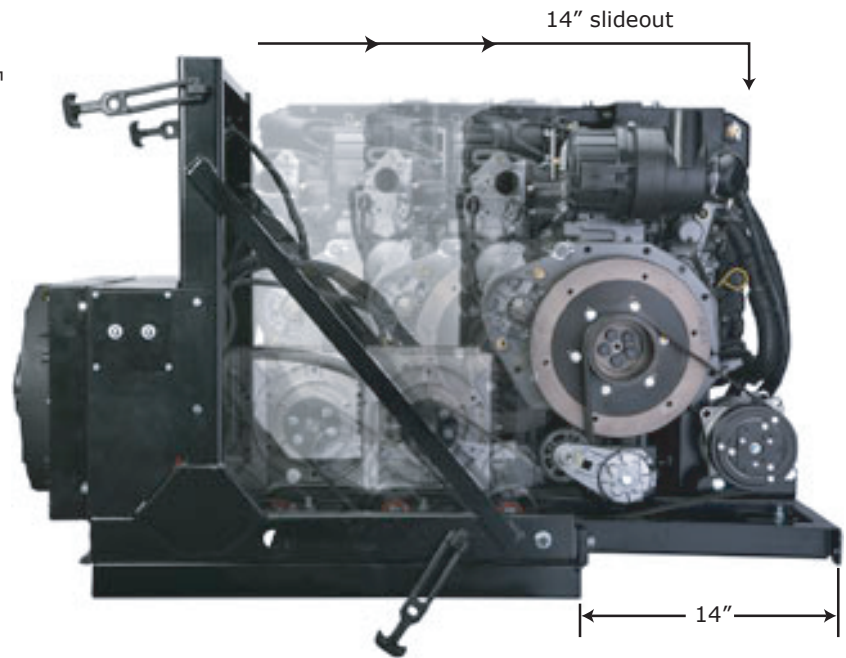


BLACKROCK EVOLUTION™

THE NEXT GENERATION

The newest member of the BLACKROCK® APU family of products is the BLACKROCK EVOLUTION.™ BLACKROCK EVOLUTION™ gives drivers an anti-idling solution that is smaller sized for reduced frame rail availability... has a patent pending sliding frame system (14") making it the most serviceable APU on the market...has a 2-cylinder YANMAR Tier II water cooled diesel engine and choice of either a 3.7 or 5.2 generator...and can utilize all current BLACKROCK® options.

BLACKROCK EVOLUTION™ is a self-contained, stand-alone APU that comes standard with the same robust, high performing features as its big brother... doesn't invade main engine systems... doesn't disable rig... doesn't void OEM warranties. Eliminates main engine idling, reduces fuel consumption... fuel costs and harmful emissions while saving money.



BLACKROCK® the name to trust for proven performance and product reliability.

BLACKROCK EVOLUTION™ Features

- Anti-idling solution sized for reduced frame rail availability
- Patent Pending sliding frame rail makes it most serviceable APU on the market
- 2 cylinder YANMAR water-cooled diesel Tier II engine
- Choice of either a 3.7 or 5.2kW generator
- 26,000 BTUs of A/C and heating
- 1,000 hour oil-change interval
- Battery Monitor
- Programmable Digital Electronic Control Unit
- Smart Power Load Balancing
- Variety of Options

BLACKROCK EVOLUTION™ Design:

- Easy, quick installation
- Quiet with minimal vibration
- Sliding Frame System (Patent Pending) makes service a snap
- Enhanced air conditioning and heating
- Ample power to run household appliances
- Extended maintenance cycles

- Reduces fuel and maintenance costs
- Enhances in-cab comfort
- Enhances quality of life
- Extends maintenance cycles
- Extends main engine longevity
- Saves Money!

Warranty: 2 years/4,000 hours – APU
 3 years/4,000 hours – YANMAR engine
 Extended Fleet Warranty Available

BLACKROCK EVOLUTION™ AUXILIARY POWER UNIT

APU Dimensions: 24.5 in (62.2 cm)W x 27.5 in (69.9 cm)H x 31 in (78.7 cm)D
 APU Weight: 2 cylinder - 410 lbs (186 kg)
 Engine: 2 cylinder YANMAR water-cooled diesel engine
 Environmental: U.S. EPA Tier II Emissions Compliant
 Oil Change Interval: 1,000 hours
 Bio-Diesel: 5% maximum
 Fuel Consumption: 0.2 gal/hour (0.76 l/hr)
 AC Power: 3.7 kW/3,700 watts/30 amps/2 receptacles
 (Requires No Inverter) 5.2 kW/5,200 watts/40 amps/2 receptacles
 Sound Level: 59.5 dBA (with BLACKROCK Quiet Comfort™ option)
 Heating, Main Engine: 120 volt AC to power block heater
 Component Accessibility: Patent Pending Sliding Frame System for ease of service

HEATING, VENTILATION AND AIR CONDITIONING UNIT (HVAC)

HVAC Dimensions: 17 in (43 cm)W x 7 in (17.8 cm)H x 16 in (40.6 cm)D
 HVAC Weight: 30 lbs (13 kg)
 Air Conditioning: 26,000 BTUs/hr (all models)
 Heater Output: 26,000 BTUs/hr (all models)
 Refrigerant: R-134a
 Airflow: 405 cfm/11.5cm
 AVAILABLE OPTIONS: BLACKROCK Quiet Comfort™ (Patent Pending)
 Ultra Cold Weather Package: use APU in temps to -40° F (-40° C)
 Aluminum Steps (Special Order)

FINANCING AVAILABLE



BLACKROCK EVOLUTION™
 (Outer cover & inside angle)



HVAC Unit
 (two angles)